



All-Glass  
Double-Acting  
Door System

**DORMA**

**VISUR**



## Beautifully concealed overhead door closers

DORMA Visur uses the DORMA RTS concealed overhead closer to operate the closing function invisibly. After each opening action, the concealed closer returns the door reliably to its zero position and its backcheck damping feature prevents excessive opening force from damaging the door leaf. The standard hold-open feature allows the door to be retained at an opening angle of 90°, while

clampable, leaf-integral tabs provide the mating connection for the concealed pivot fittings top and bottom. Hidden within the floor is the bottom bearing housing with the pivot bearing mounting designed for a standard 2-3/4" (70 mm) pivot center. The depth of installation is 2-1/2" (64 mm) and the diameter of the bearing housing is just 5" (126 mm).

## DORMA VISUR

### Design & function in perfect transparency

The sophisticated new VISUR double-acting pivot system from DORMA makes it possible to create all-glass double-acting doors without any visible fittings. All hardware components are located in the surrounding structures of the door panel.

Because the door fittings are so unobtrusive, architects and specifiers are free to choose any material and any color for the surrounding structures. The transparent door reflects and enhances their design to maximum advantage.

DORMA products are known for their outstanding quality and VISUR is no exception. Endurance tests have subjected the VISUR double-acting pivot system to 500,000 operating cycles. These tests prove that an all-glass VISUR door will stand up to demanding traffic over time—embodying design and function in perfect transparency.

#### Options

Complete set for single leaf doors including header tube, RTS 88, top & bottom pivot.

#### Art. No. 803.770.114.99

single door

#### Art. No. 803.771.114.99

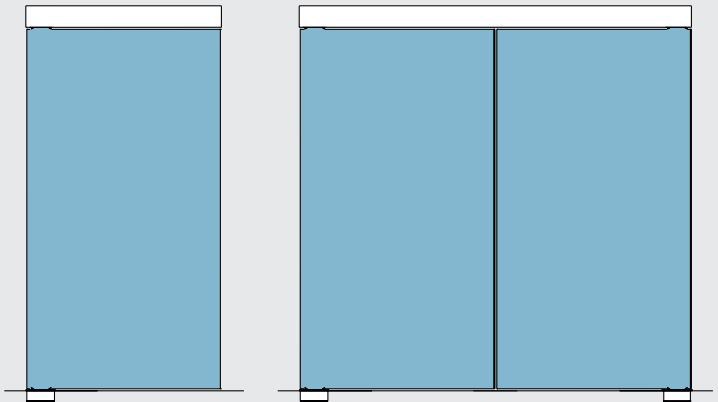
double door

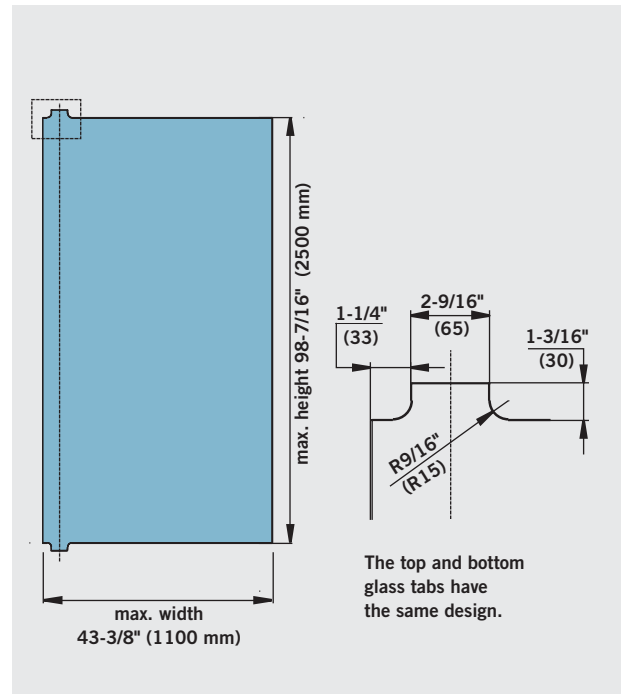
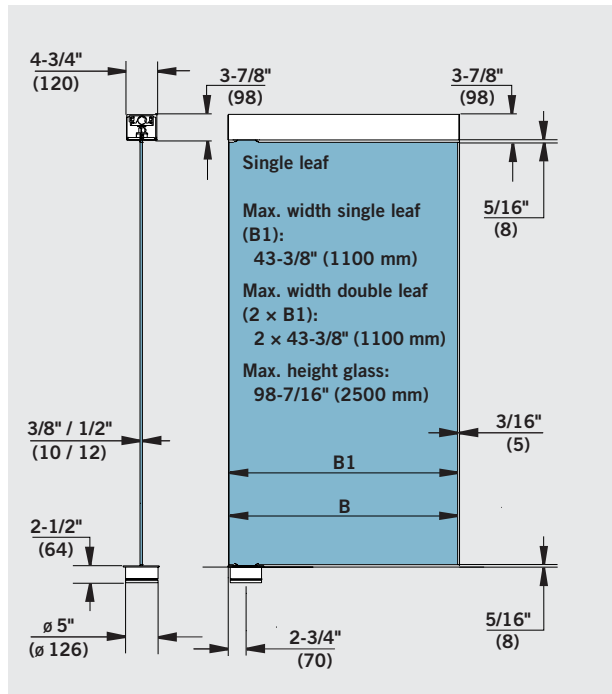
#### Materials and finishes

- Aluminum, Silver anodized 114, Aluminum EV1-Deco

#### Dimensions

- Glass thickness: 3/8" / 1/2" (10 / 12 mm)
- Max. door panel weight: 187 lbs. (85 kg)
- Max. door panel width (B1): 43-3/8" (1100 mm)
- Max. door panel height (H1): 98-7/16" (2500 mm)



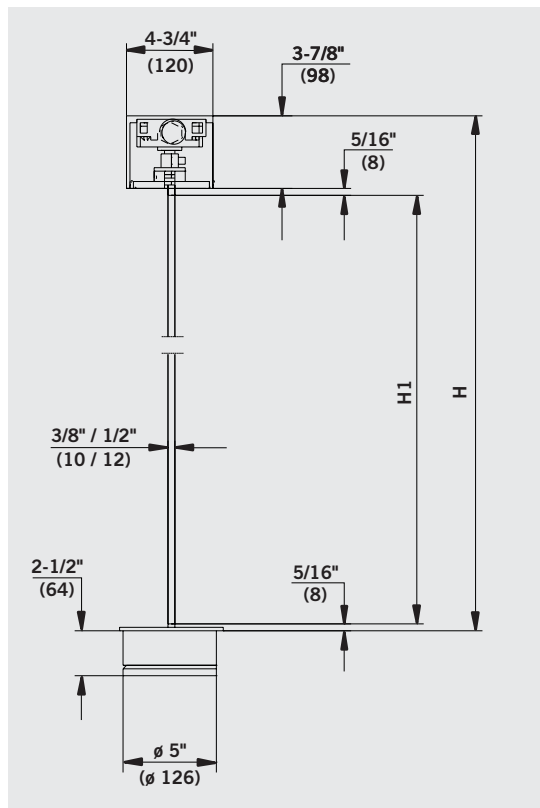


Calculation of glass measurement:

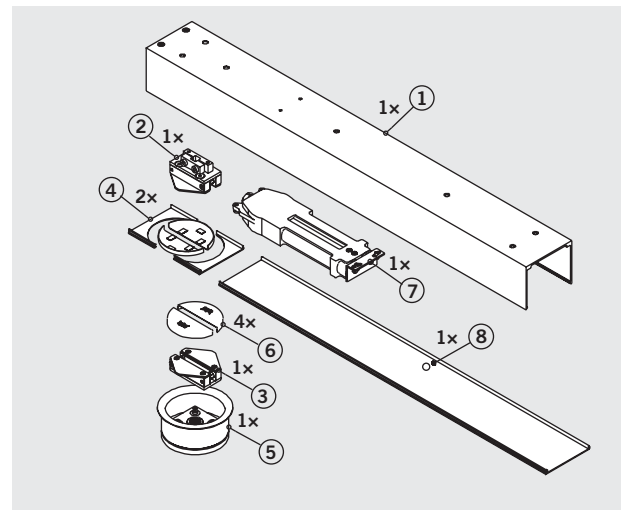
$$H1 = H - 114$$

$$B1 \text{ single leaf} = B - 10$$

$$B1 \text{ double leaf} = \frac{B - 15}{2}$$



- ① Header tube for installation under the ceiling:  
1 part for max. panel width 43-3/8" (1100 mm)  
2 parts for max. panel width 2 x 43-3/8" (1100 mm)
- ② Glass clamping piece top
- ③ Glass clamping piece bottom
- ④ Cover profile parts for door closer pivot pin 3-1/2" (90 mm)
- ⑤ Bottom bearing housing with cover ring
- ⑥ Cover caps
- ⑦ RTS 88
- ⑧ Header tube cover





DORMA Glas, Inc.  
1520 Jabez Run  
Suite 303  
Millersville, MD 21108  
Tel: 301.390.1000  
Toll Free: 800.451.0649  
Fax 301.390.0011  
E-mail: [glas@dorma-usa.com](mailto:glas@dorma-usa.com)  
[www.dorma-usa.com](http://www.dorma-usa.com)